

USER MANUAL



Thank you for choosing Better Bathrooms.
Please read this manual before installing your product
and keep for future reference.

better 
bathrooms

Product

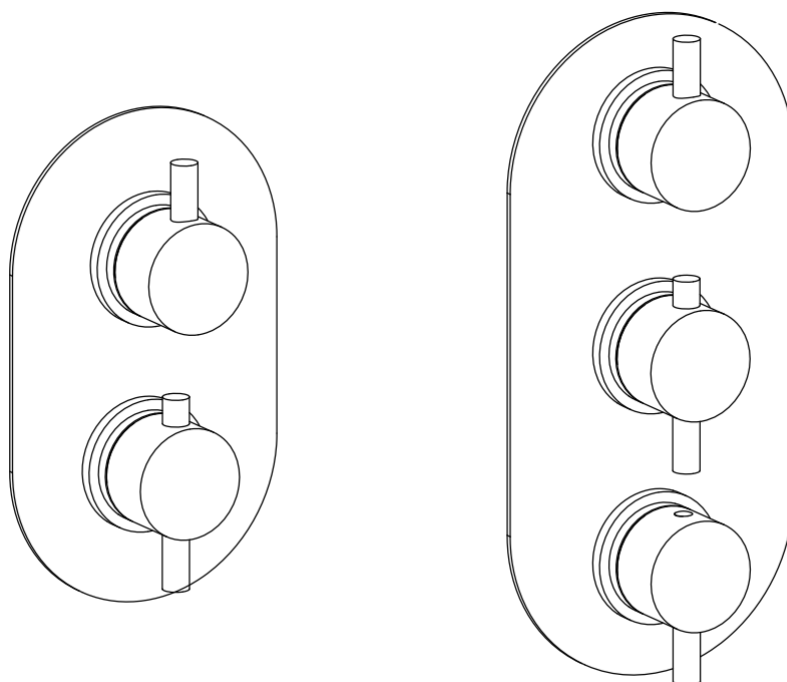
ARIMB010 - Arissa Matt Black Dual Control Concealed Valve - 1 Outlet

ARIBB010 - Arissa Brushed Brass Dual Control Concealed Valve - 1 Outlet

ARIMB011 - Arissa Matt Black Dual Control Concealed Valve - 2 Outlet

ARIBB011 - Arissa Brushed Brass Dual Control Concealed Valve - 2 Outlet

ARIBB012 - Arissa Brushed Brass Triple Control Concealed Valve - 2 Outlet



- **Single-person assembly**
- **Tools required**
- **We always recommend using professional tradespeople to install your product**

V4_24/6/2026

Congratulations on your purchase

And welcome to our growing gang of savvy shoppers

We're on a mission to bring you extraordinary bathroom products, for less. From modern to traditional style ceramics, plus the gorgeous fixtures, fittings and furniture to match. So, you can fall in love with your space every single day.

As one of the UK's largest independent bathroom stores, we've received countless awards; including the National Business Awards UK, the Digital Entrepreneur Awards and being placed on The Sunday Times Fast Track 100.

We hope your new product goes above and beyond your expectations. However, should any problems occur, please:

- log in to your account and contact our customer services team via your self-serve portal – betterbathrooms.com/Account/Login
- contact us via betterbathrooms.com/content/contact-us

Important information

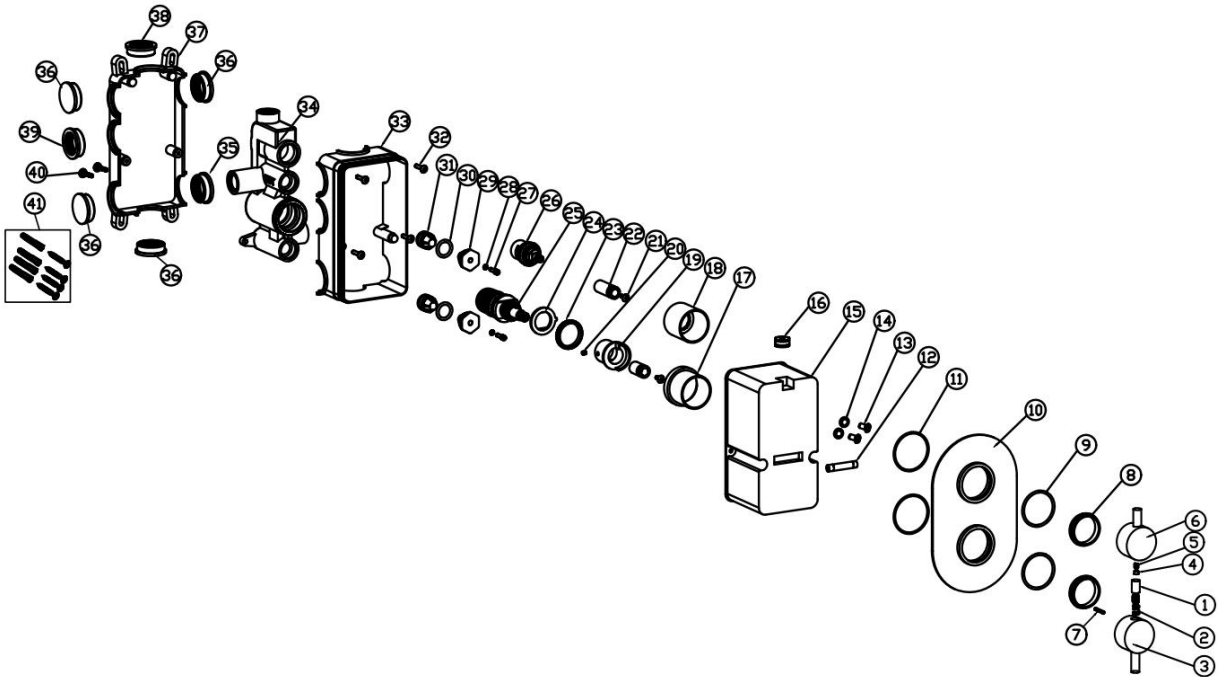
- Please read these instructions thoroughly and retain for future reference
- Installation must be carried out in compliance with The Water Fittings Regulations and Scottish Water Byelaws.
- The system must be flushed prior to installation
- Minimum and Maximum working pressure : 1 - 5 bar
- Pressures must be equal for optimum performance
- Please do not connect hot and cold water supply lines in reverse. This could result in hot water flowing from cold line and cause scalding.
- The feed-water temperature of water shall not exceed 85°C.

Exceeding 85°C may cause scalding, the service life of faucets might be shortened, or the faucet might be damaged.

- After installation, please make sure the faucet is securely mounted and checked for leaks.

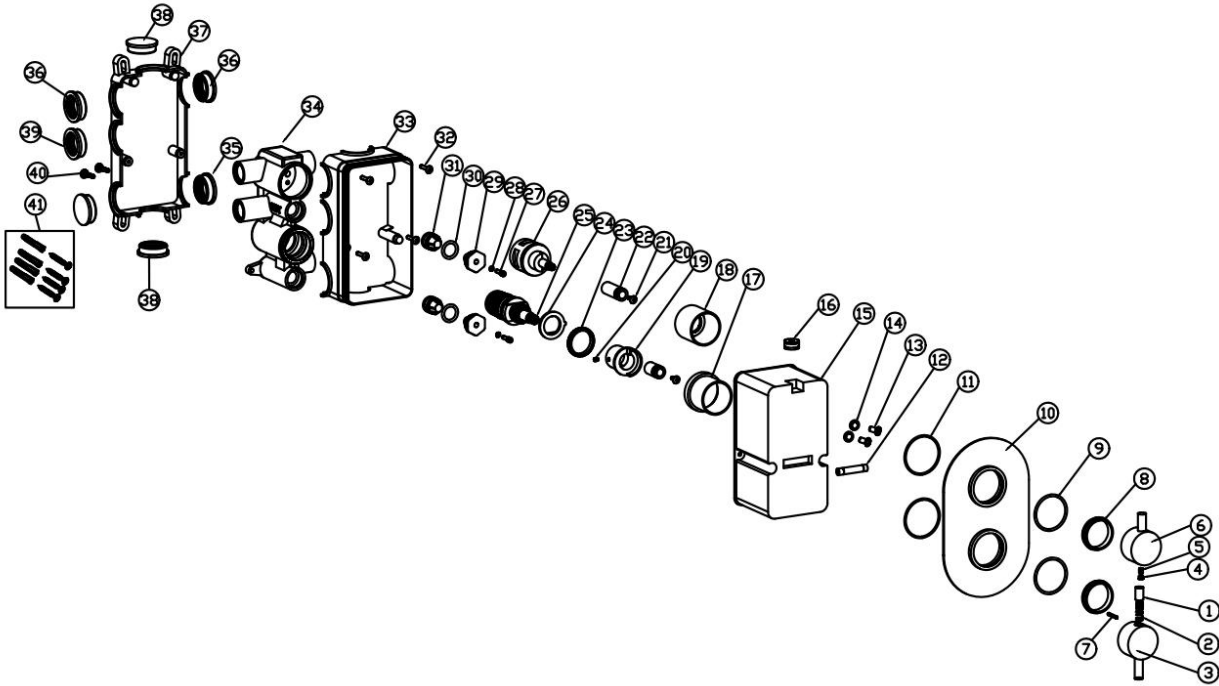
Parts / Diagrams

Dual Control Concealed Valve - 1 Outlet



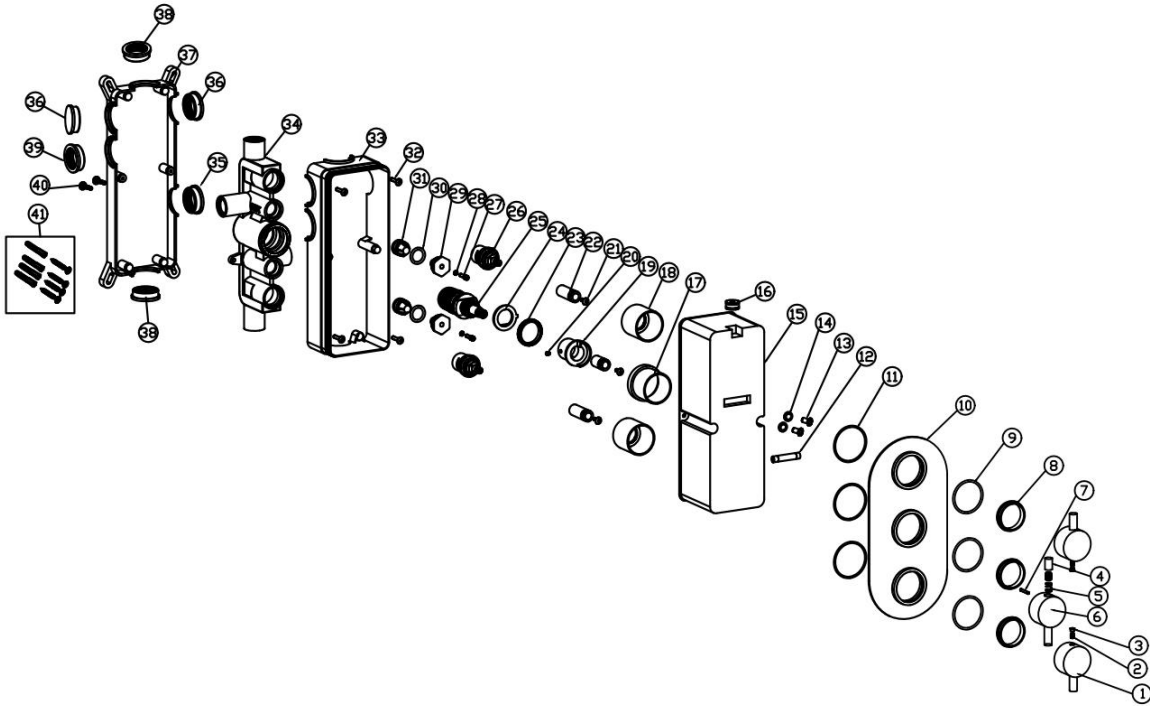
No	Description	No	Description	No	Description
1	Button	15	Cover of concealed box	29	Plug
2	Spring	16	Spirit level indicator	30	O-ring
3	Thermostatic handle	17	Housing of thermostatic valve	31	Non-return valve
4	Cap	18	Housing of diverter valve	32	Screw
5	Grub screw	19	Positioning cap	33	Middle Box
6	Divertor knob	20	Screw	34	Body
7	Positioning rod	21	Screw	35	Rubber seal ring(Blue)-cold
8	Plastic ring	22	Connector	36	Rubber plug
9	O-ring	23	Locknut	37	Box bracket
10	Wall trim	24	Positioning ring	38	Rubber ring-outlet
11	O-ring	25	Thermostatic cartridge	39	Rubber ring(Red)-hot
12	Spirit level indicator	26	Divertor cartridge	40	Screw
13	Screw	27	Screw	41	Wall plug & fixing screw
14	Steel plate	28	O-ring		

Dual Control Concealed Valve - 2 Outlet

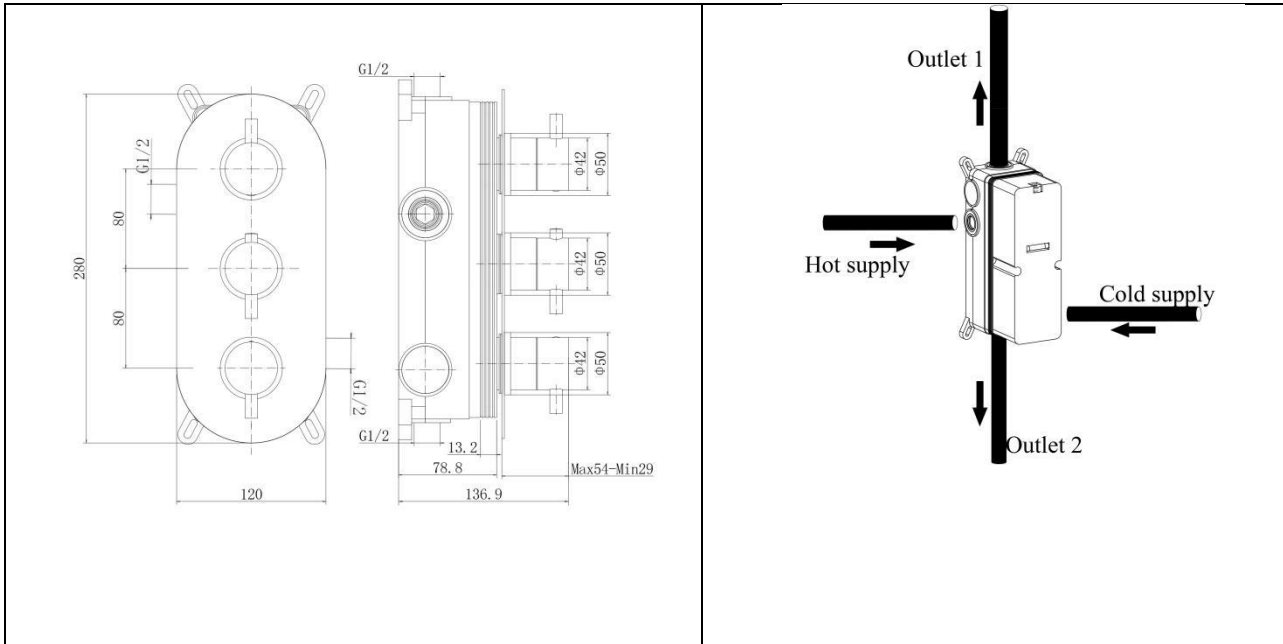


No	Description	No	Description	No	Description
1	Button	15	Cover of concealed box	29	Plug
2	Spring	16	Spirit level indicator	30	O-ring
3	Thermostatic handle	17	Housing of thermostatic valve	31	Non-return valve
4	Cap	18	Housing of divertor valve	32	Screw
5	Grub screw	19	Positioning cap	33	Middle Box
6	Divertor knob	20	Screw	34	Body
7	Positioning rod	21	Screw	35	Rubber seal ring (Blue)-cold
8	Plastic ring	22	Connector	36	Rubber seal ring for outlet
9	O-ring	23	Locknut	37	Box bracket
10	Wall trim	24	Positioning ring	38	Rubber plug
11	O-ring	25	Thermostatic cartridge	39	Rubber seal ring (Red)-hot
12	Spirit level indicator	26	Divertor cartridge	40	Screw
13	Screw	27	Screw	41	Wall plug & fixing screw
14	Steel plate	28	O-ring		

Triple Control Concealed Valve - 2 Outlet



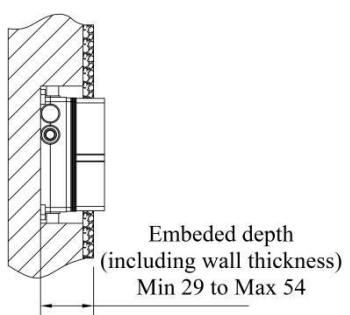
No	Description	No	Description	No	Description
1	Divertor knob	15	Cover of concealed box	29	Plug
2	Grub screw	16	Spirit level indicator	30	O-ring
3	Cap	17	Housing of thermostatic valve	31	Non-return valve
4	Button	18	Housing of diverter valve	32	Screw
5	Spring	19	Positioning cap	33	Middle Box
6	Thermostatic handle	20	Screw	34	Body
7	Positioning rod	21	Screw	35	Rubber seal ring(Blue)-cold
8	Plastic ring	22	Connector	36	Rubber Plug
9	O-ring	23	Locknut	37	Box bracket
10	Wall trim	24	Positioning ring	38	Rubber seal ring for outlet
11	O-ring	25	Thermostatic cartridge	39	Rubber seal ring(Red)-hot
12	Spirit indicator level	26	Divertor cartridge	40	Screw
13	Screw	27	Screw	41	Wall plug & fixing screw
14	Steel plate	28	O-ring		



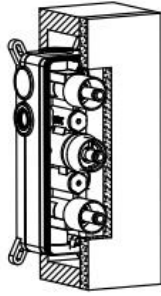
Tools required

- PTFE tape
- Allen key
- Screwdriver
- Thermometer
- Knife

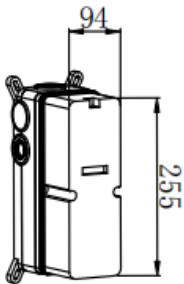
Installation

 <p>Embedded depth (including wall thickness) Min 29 to Max 54</p>	<p>Prior to installation ensure that the hot and cold water supplies are both shut off.</p> <p>The recess should be made such as to have the mixer protrude out of the surface at the indicated markings (29mm minimum and 54mm maximum).</p> <p>Use the provided spirit level indicator to level the unit.</p> <p>Connect the water supplies and outlets securely.</p>
---------------------------------------------------------------------------------------------------------------------------------------------------------------	-------------------------------------------------------------------------------------------------------------------------------------------------------------------------------------------------------------------------------------------------------------------------------------------------------------------------------------------------------------------------

INSTALLATION DRAWING FOR HOLE ON WALL

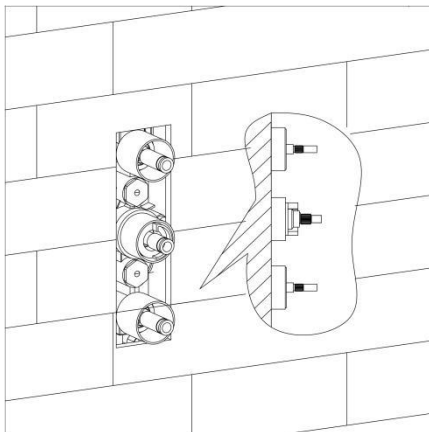


Concealed Box Dimension The hole to be made on wall should be no larger than below dimensions.

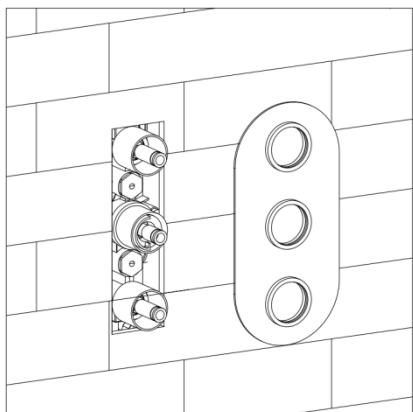


INSTALLATION DRAWING FOR HOLE ON WALL FOR ARIBB012 ONLY:

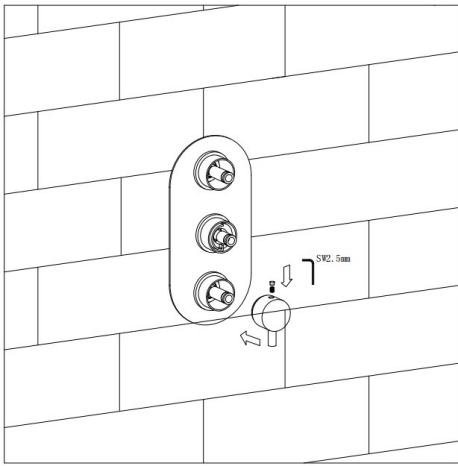
The hole to be made on wall should be no larger than the dimensions shown on left which the height is 220mm and the width is 70mm.



The excess plastic should be removed, and no plastic covering should protrude out of the surface.

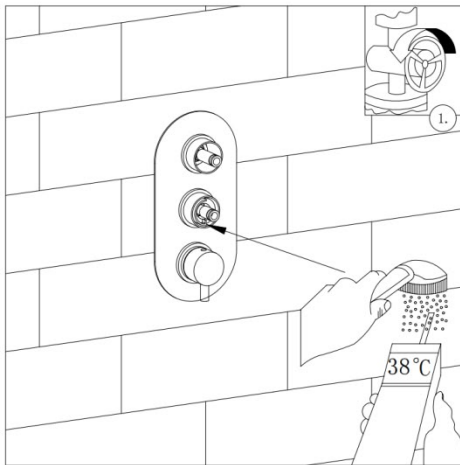


Once all connections are properly fitted install the decorative cover plate.



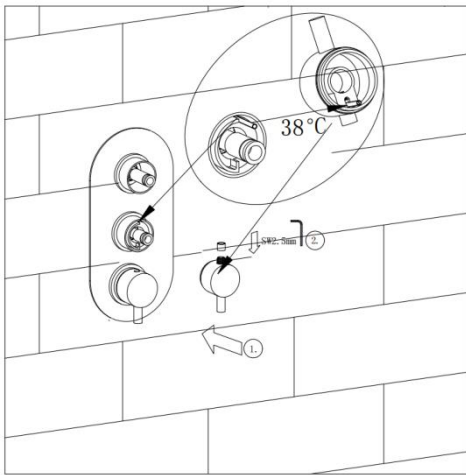
Install the diverter knob into position and secure it in place via the provided grub screw.

Clip on the decorative grub screw cover.



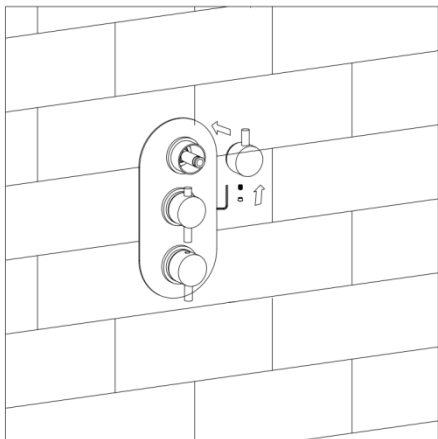
Open water supply for hot and cold pipelines.

With the thermostatic mixer set at 38° C, set the diverter to direct water to the hand shower and check the temperature with a thermometer which should correspond to the 38° C setting(refer to the maintenance section to install and adjust the thermostatic cartridge if the temperature reading is different).



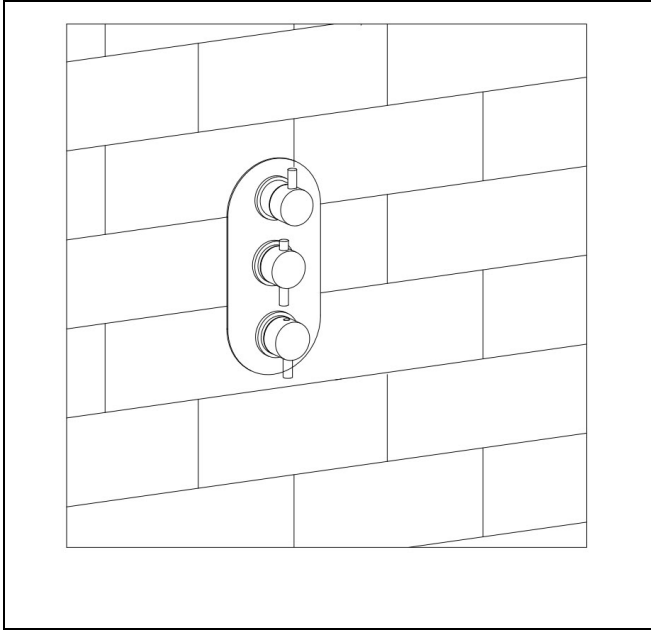
Install the thermostatic mixer knob into position and secure it in place via the provided grub screw. Clip on the decorative grub screw cover.

Make sure the positioning rod in the handle keeps align with the 38° C marking on the cartridge.



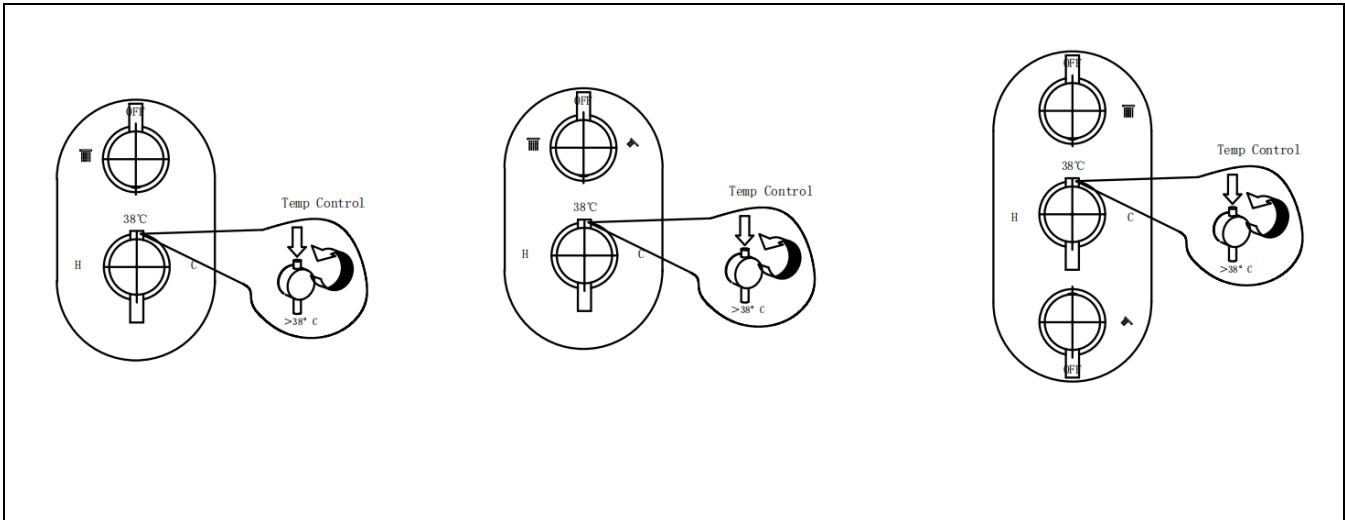
Install the diverter knob into position and secure it in place via the provided grub screw.

Clip on the decorative grub screw cover.



The installation is complete.

Operation



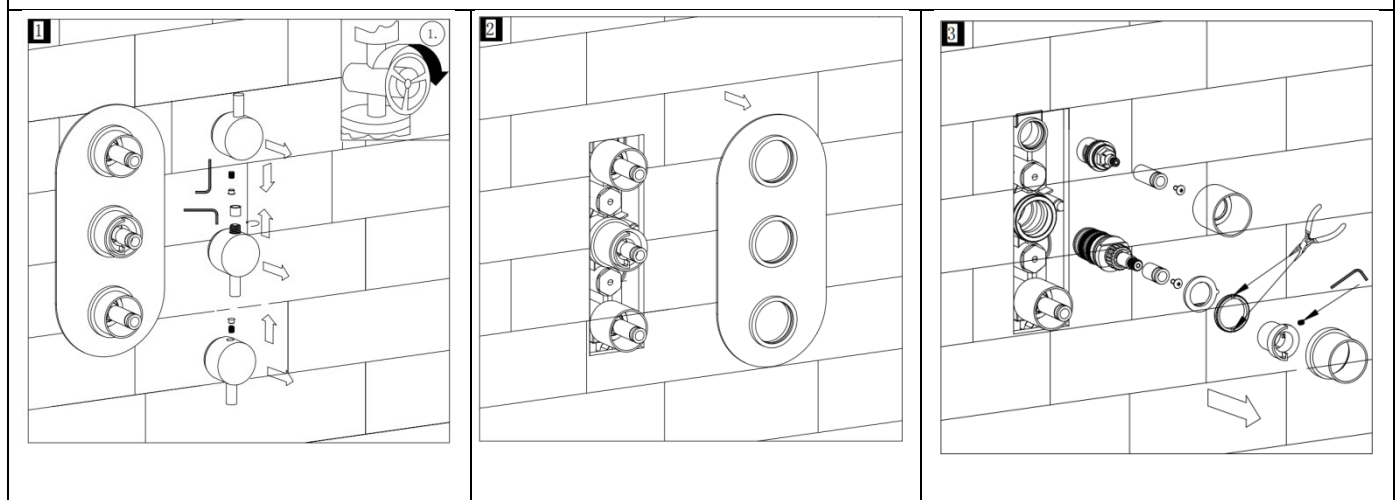
There is a safety button at the bottom of thermostatic handle. Pressing down the button and turn the handle towards the H side can adjust temperature higher than 38 ° .

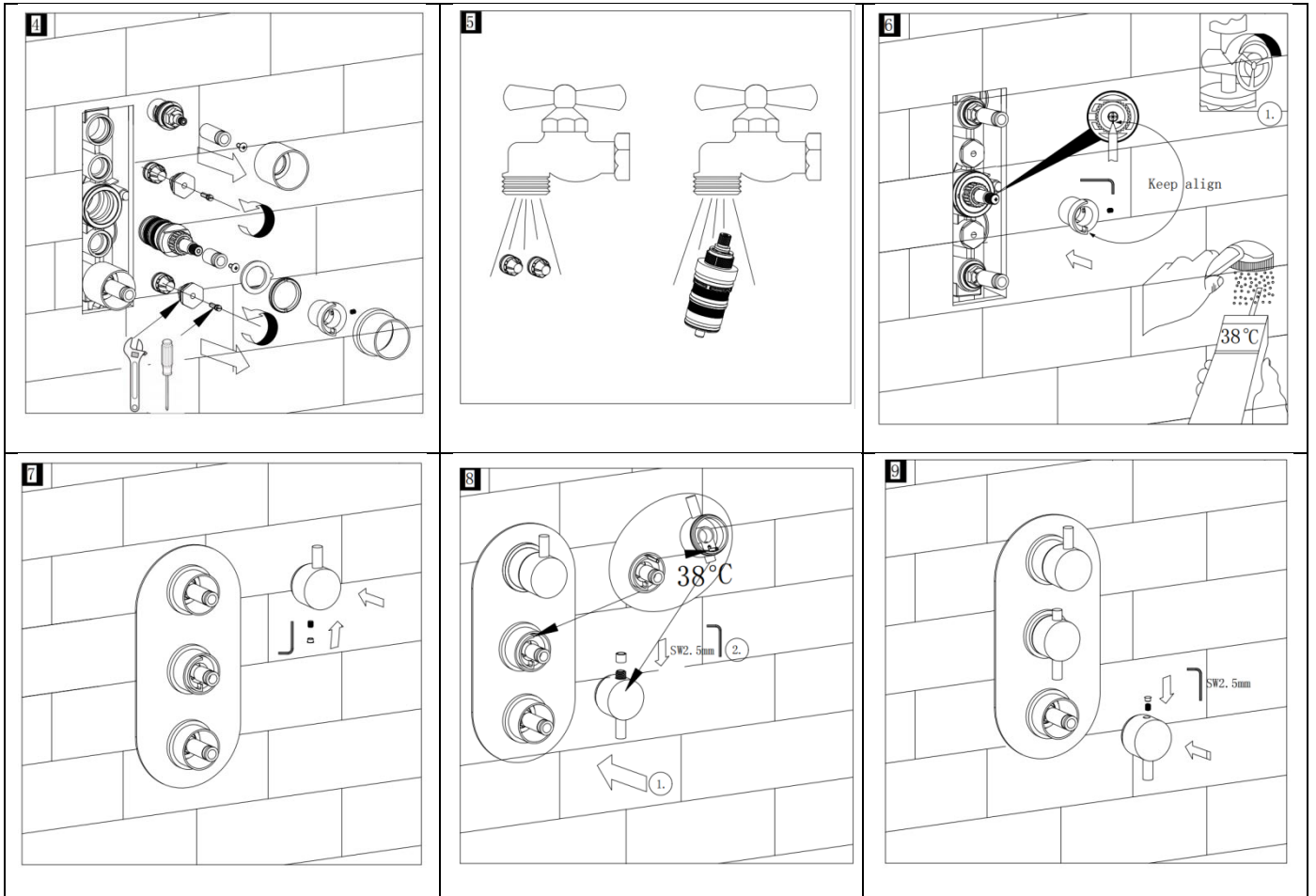
Troubleshooting

Issues	Inspection Item
Poor water flow	<ul style="list-style-type: none"> • Is there dust with filter net of thermostatic cartridge (25) • Is there debris inside the non-return valve(31) • Is the supply pressure inadequate
Water leak	<ul style="list-style-type: none"> • Is there damage or dirt within the O-rings of the thermostatic cartridge (25) • Is there damage or dirt within the O-rings of the diverter cartridge (26) • Is the locknut(23) fully tighten
Safety button not working	<ul style="list-style-type: none"> • Is there damage to the spring(2) inside the thermostatic handle • Is the button(1) calcified
Crossflow, hot water being forced into cold water, or vice versa, when mixer is closed	<ul style="list-style-type: none"> • Is there debris or leakage with the non-return valve(31)
Temperature does not correspond with temperature setting	<ul style="list-style-type: none"> • Has the thermostat been correctly adjusted(refer to the calibration section) • Is the hot water temperature too low
Temperature regulation not possible	<ul style="list-style-type: none"> • Is the thermostatic cartridge (25) calcified • For new installations: has basic body correctly connected (should be cold right, hot left) or installed with 180° rotation

Maintenance

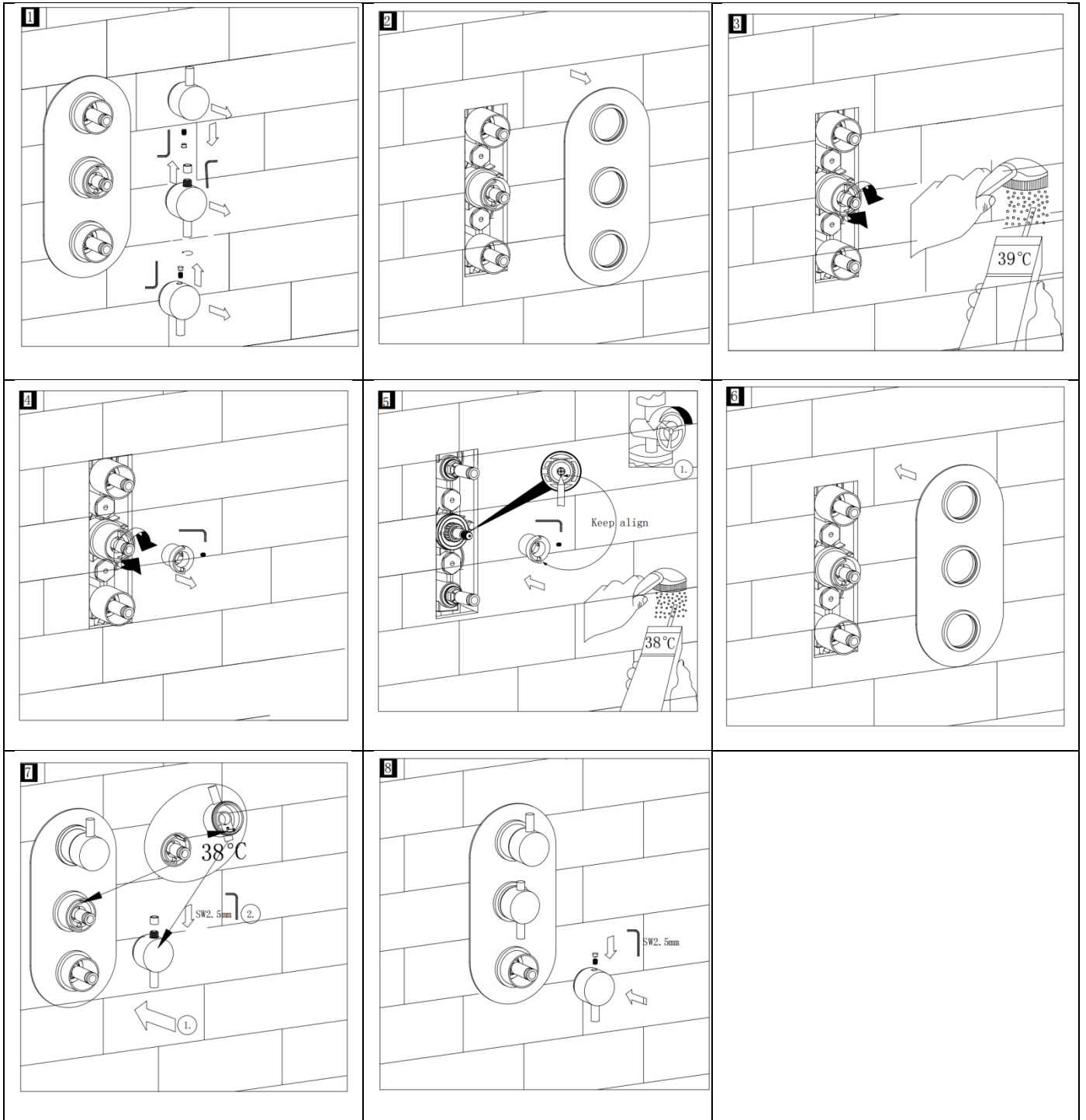
Be reminded to close water supply before maintenance.





Calibration

After the installation the output temperature of the thermostat must be checked. A recalibration correction would be necessary if the temperature measured at the output differs from the temperature set at the thermostat. The below steps should be followed to perform thermostat calibration. Be reminded to close water supply before recalibration.



Cleaning

To maintain the surface of your product, wipe with a clean damp cloth and wipe dry, do not use any abrasive cleaning agents or materials. If any harsh chemicals come into contact with the surface of the product, rinse and wipe clean immediately.

For more information

- visit betterbathrooms.com
- email customerservices@buyitdirect.co.uk
- call 03303903062
- write to Trident Business Park, Neptune Way, Huddersfield, HD2 1UA

better 
bathrooms

Part of the BuyItDirect Group